



# KINGFISHER (SHANGHAI) MARINE SERVICES

ONE-STOP EGCS RETROFIT SOLUTION

---



# WHAT WE WILL PROVIDE



Scrubber  
Selection



Production Design



Drydock Selection



Installation



Supervision



Emission  
Certificate



## **SCRUBBER SELECTION**

- Cooperated Scrubber Maker
- Flexible Capacity & Design

# SCRUBBER SELECTION

Kingfisher (Shanghai) Marine Services One-Stop EGCS Retrofit Solution

PUYIER  
普益环保



- We can investigate the vessels detailed drawings and analyze the layout and to propose the proper Scrubber maker
- We can provide the general budget based the selected scrubber including the installation as a package proposal
- Competitive Scrubber Product

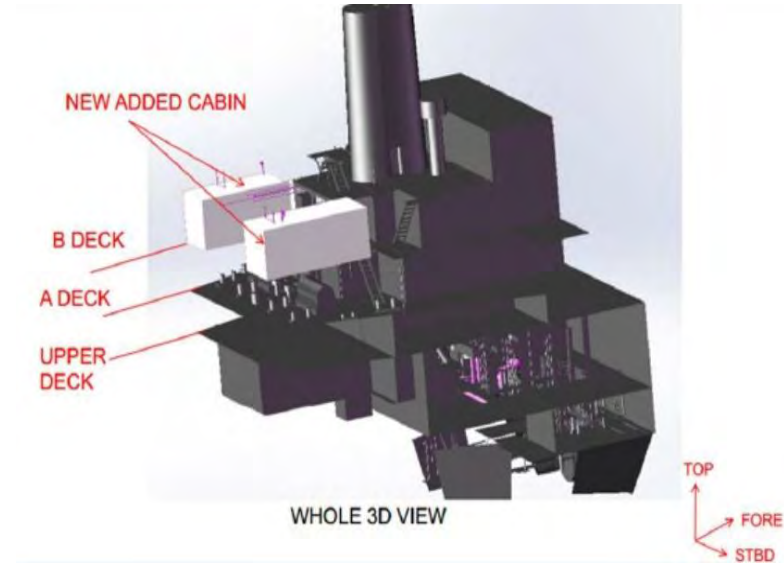
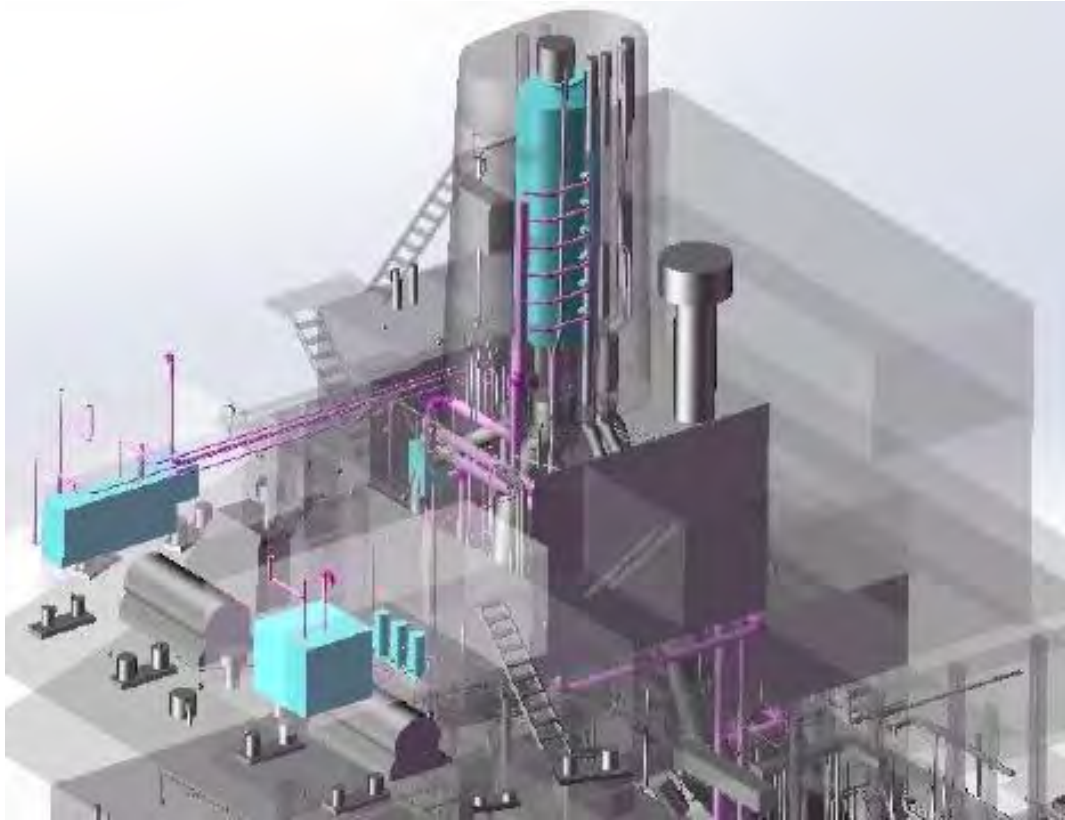


## **PRODUCTION DESIGN**

- Onboard Survey & 3D Scanning
- Retrofit Engineering
- Budget Cost Control

# PRODUCTION DESIGN

Kingfisher (Shanghai) Marine Services One-Stop EGCS Retrofit Solution



## Onboard Survey & 3D Scanning

We are able to arrange the 3D scanning on board at the Chinese port

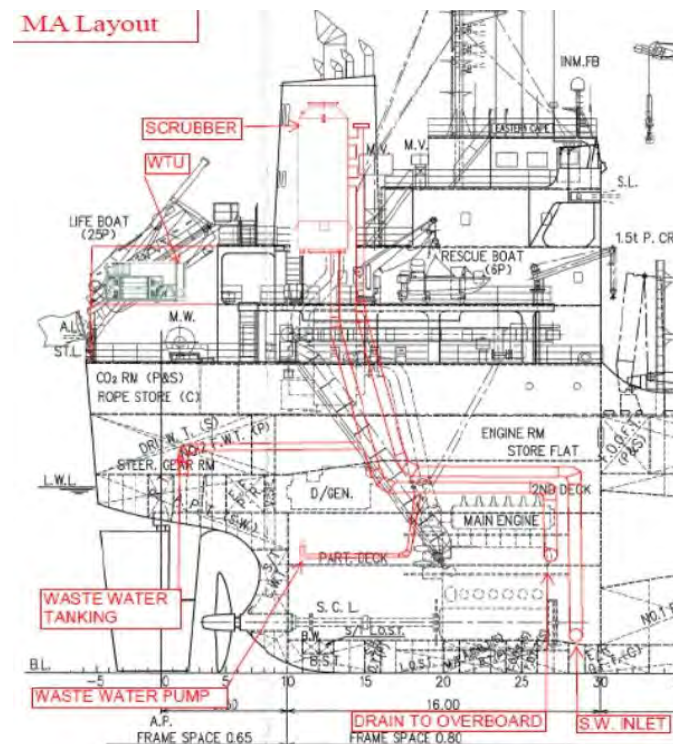
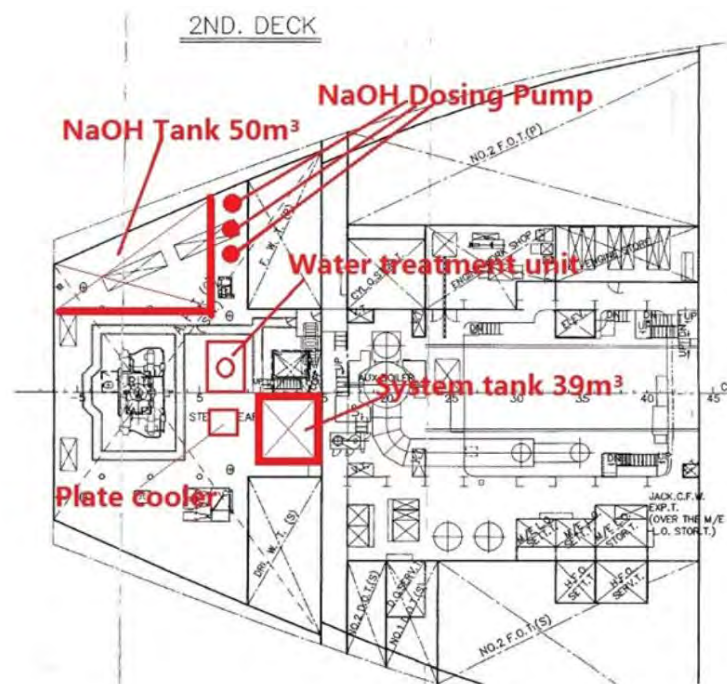
# PRODUCTION DESIGN

Kingfisher (Shanghai) Marine Services One-Stop EGCS Retrofit Solution

## Retrofit Engineering

We have a strong design team, we are capable to work on class approval for the drawings.

We can provide the detail and production design and onboard technical support.





# PRODUCTION DESIGN

Kingfisher (Shanghai) Marine Services One-Stop EGCS Retrofit Solution

## Budget Cost



1 On board Survey 3D Scanning

2 Detail Design

3 Production Design

4 Total: USD 75,000 - USD 90,000

5 5-10% Variation based on Vessel's Type





## **DRYDOCK SELECTION**

- Cooperated Shipyards
- Various Locations in China

# DRYDOCK SELECTION

Kingfisher (Shanghai) Marine Services One-Stop EGCS Retrofit Solution

## Our Cooperated Shipyards



### Middle and South China

1. Jiusheng shipyard (N:31°57' E:120°22')

Dock size:

1.1 225M x 45M x 12.9M

1.2 210M x 35M x 12.9M

2. Longshan shipyard (N:29°78' E:122°08')

Dock size:

2.1 310M x 55M x 13M

2.2 235M x 40M x 11M

3. Huafeng shipyard (N:30°11' E:122°18')

Dock size:

3.1 275M x 45M x 13.5M

3.2 405M x 68M x 14.5M

### North China

1. CUD(weihai)shipyard (N:36°50' E:122°16')

Dock size:

1.1 355M x 78M x 14M

1.2 325M x 54M x 13M

2. Sanjin shipyard (N:37°45' E:122°28')

Dock size:

2.1 320M x 41.5M x 11.9M

2.2 220M x 37M x 18.2M (float)

3. Xixiakou shipyard (N:37°42' E:122°64')

Dock size:

3.1 205M x 38M x 7.5M

3.2 248M x 38M x 7.5M

3.3 300M x 45M x 8M

3.4 300M x 54M x 8.5M



## INSTALLATION

- Material preparation
- Pre-fabricate outfitting

# INSTALLATION

Kingfisher (Shanghai) Marine Services One-Stop EGCS Retrofit Solution

## Material Preparation

We can coordinate with the shipyards for the whole material preparation, in order to proceed the installation efficiently, especially for GRE pipes.  
We can supply the urgent material in short time if requested.

## Pre-fabricate Outfitting

We can arrange the pipes & outfitting to be prefabricated in advance.  
Save the installation time.  
Save the installation cost.



# **SUPERVISION**

- Installation Supervision
- Commissioning Supervision

# SUPERVISION

Kingfisher (Shanghai) Marine Services One-Stop EGCS Retrofit Solution



## Installation Supervision

We can provide the supervision services for the installation and control the quality.

## Commissioning Supervision

We has a experienced commissioning team to coordinate with the maker and shipyard. We can monitor and report all relative tests. We can accelerate the commission job.



---

# **EMISSION CERTIFICATE**



# EMISSION CERTIFICATE

Kingfisher (Shanghai) Marine Services One-Stop EGCS Retrofit Solution

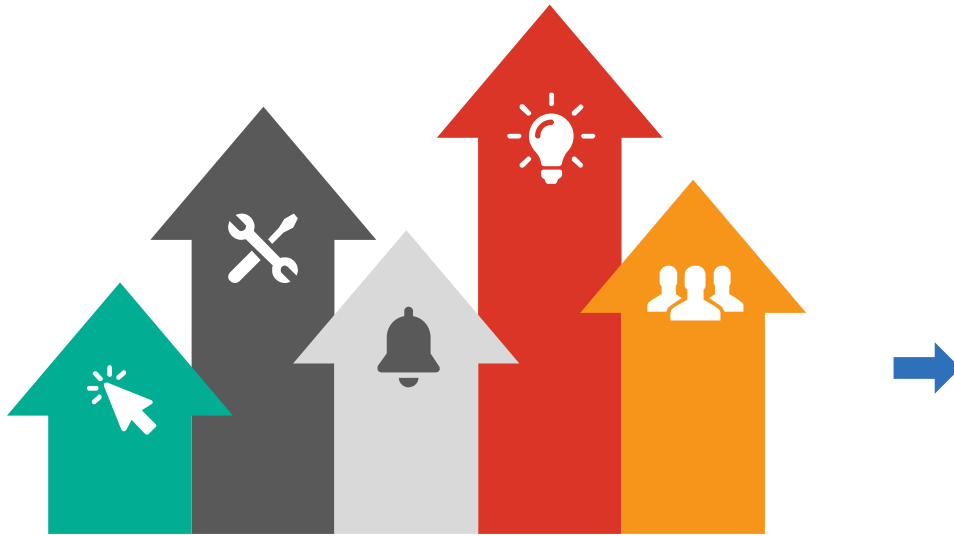


We assist the ship owners/managers to acquire the emission certificate after installation.

We monitor the operation condition of the ships after delivery, and provide after-sale services.

# OUR COMPETITIVENESS

Kingfisher (Shanghai) Marine Services One-Stop EGCS Retrofit Solution



## Why Choose Us

Professional and experienced engineers

Various shipyards network, flexible dock slots

Strong design team for detail & production design

Local pre-outfitting manufactories resources

GRE Piping installation capability

Senior & delicated project manager with fluent English communication



# KINGFISHER (SHANGHAI) MARINE SERVICES

Your Best Choice for the Tailor-made  
Scrubber Solution

---

